



Branch of Luxembourg Air Ambulance S.A.

We provide expertise and care

www.air-ambulance.com





European Air Ambulance (EAA) is one of the largest specialised air ambulance service providers in Europe offering worldwide air ambulance repatriation with outstanding end-to-end patient care.

EAA founder Luxembourg Air Ambulance has a record of over 29 successful years of experience in air ambulance services with medical repatriation experience from over 150 countries worldwide, giving EAA some of the broadest expertise in the air ambulance industry. EAA coordinates a fleet of 5 air ambulance aircraft, LearJet 45XR, all fitted with state-of-the-art medical equipment and supplies to ensure the best possible patient care in the air. These aircraft are based in Luxembourg.

EAA provides its services 24/7/365 throughout the world.

Mission

Our mission is to save human lives and to maintain the health of patients by offering a global 24-hour, bed-to-bed worldwide air ambulance service that applies the highest standards of safety and quality.

Vision

Our vision is to be the sector leader by constantly providing state-of-the-art air medical services to our clients and patients.

Our values - What we believe in

Patients, Partners, Customers

«Patients are the base of our “raison d’être”»
Focussing on the needs and requirements of our patients, partners and customers, allows us to fulfil our mission and generate added value for all.

Leadership

«Passion to lead»
By setting clear objectives we create new value.

Professionalism

«Always professional»
Even in most complicated and dangerous situations we act with highest competence.

Trust

«Dare to share»
By developing trust we make progress. We trust and respect each other’s role.

Team spirit

«One mind, one heart»
By working together we draw on our strengths. We work all for one and one for all to succeed.



European Air Ambulance gathers medical repatriation experience from over 150 countries worldwide, giving EAA some of the broadest expertise in the air ambulance industry. EAA can also rely on a dense network of international co-operation agreements, which ensures speedy and smooth execution of intensive care transports with bed-to-bed service.

EAA coordinates a fleet of 5 air ambulance aircraft, LearJet 45XR, all fitted with state-of-the-art medical equipment and supplies to ensure the best possible patient care in the air. These aircraft are based in Luxembourg (ELLX). All EAA missions are staffed by an experienced intensive care medical team consisting of at least 1 physician and 1 flight nurse. EAA can choose

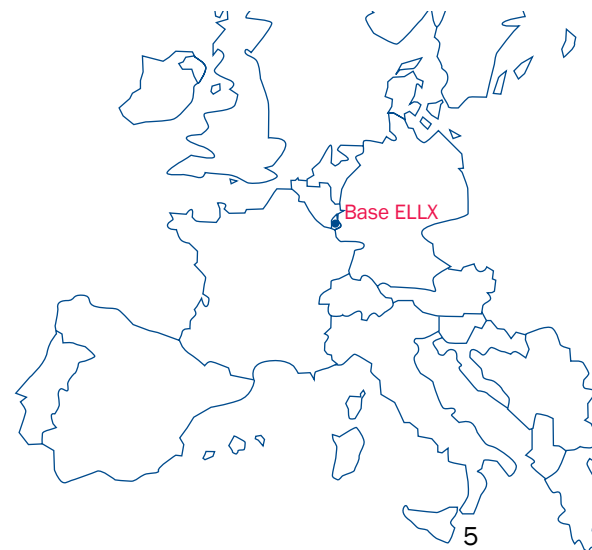
the physician from a large pool of anaesthetists, neonatologists, paediatricians, gynaecologists, obstetricians or other specialists, depending on the patient's medical condition.

European Air Ambulance provides specialised, multi-lingual staff at the Sales & Mission Control Centre that can handle everything from quote to invoice via the safe delivery of the patient to the destination hospital.

EAA responds to quote requests with minimum notice. After confirmation has been received, mission preparation starts immediately - day or night - ensuring fast and safe repatriation of the patient.

EAA contact for quotes 24 hours/365 days a year

Sales & Mission Control Centre
alert@air-ambulance.com · www.air-ambulance.com
Tel: +352 26 26 00 · Fax: +352 26 26 01





Air Ambulance Repatriation

Air ambulance repatriation including 1 physician and 1 flight nurse, medical pre-flight clearance with physician-to-physician consultation, bed-to-bed transfer of the patient, organisation of ground ambulance transportation at both ends of the flight and a full post-mission medical report from the treating physician.

Double Stretcher

Full double stretcher air ambulance aircraft capable of transporting two intensive care patients simultaneously.

Infectious Disease Unit

Special medical evacuation module for the transportation and care of patients who have been diagnosed with highly infectious diseases like Ebola.

Neonatal/Incubator Transport

Repatriation or medical transfer of a newborn baby to a specialised unit using an incubator. Neonatal missions always include a neonatologist as well as a specialised intensive care flight nurse trained in Advanced Paediatric Life Support.

Overweight Patient Transport

Aircraft configurations allow comfortable transportation of patients up to a weight of 170kg, using stretchers with extensions and a maximum load of 200kg. Medical crew are trained to assess the requirements and deal with the exceptional logistics – such as loading and seating position – of heavy weight patients. Alternative specialised equipment is also available.

Stretcher or Medical Escort on Scheduled Airline

Organisation of medical repatriation of your patient, either on a stretcher or as sitting patient in a specified service class, escorted by a physician, a nurse, or both if required. Ground transportation to and from the airport, accompanied by the medical escort, can also be arranged.

Medical Clearance

A pre-flight medical clearance with a physician-to-physician consultation is included in all air ambulance flights. However, it is also possible to request this service on a separate basis if you wish to get a clear understanding of your patient's medical status and treatment by the foreign hospital.

Organ Transplant Logistics

Picking up your medical team with an appropriate aircraft from your hospital, flying them to the hospital where the organ awaits collection and back to the receiving hospital. Our insurance also covers your medical teams while on board.

Rescue Helicopters

Using the extensive fleet of DRF Luftrettung and Luxembourg Air Ambulance in Germany, Luxembourg, and Austria, EAA can organise medical transfers with fully equipped rescue helicopters.

Humanitarian Missions

Large experience in participating in humanitarian missions throughout the world in close co-operation with respective governments, the NATO and the United Nations.

Fleet

All aircraft are operated by Luxembourg Air Ambulance and under the exclusive coordination of European Air Ambulance. All aircraft are fitted with state-of-the-art medical equipment and necessary medication to ensure outstanding patient care. They can be considered as flying intensive care units ready to take off at any moment, day or night, for medical repatriation worldwide.

5 LearJet 45XR



Tail Signs: LX-ONE LX-EAA LX-LAA LX-LAR LX-RSQ



Manufacturer: Bombardier, Wichita, USA

Speed: 860 km/h

Altitude: 51.000 feet

Range: 1.800 NM

Minimum runway
length required: 4.700 feet

Dimensions:

Length: 17,56 m

Height: 4,31 m

Wingspan: 14,56 m

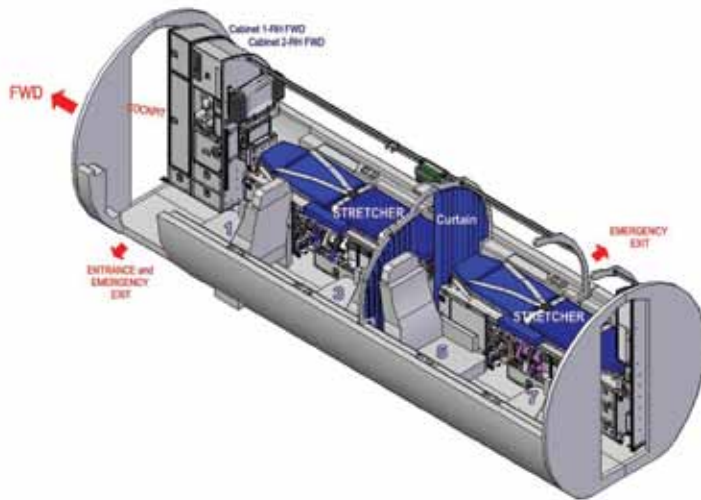
Crew: 2 Pilots, Physician,
Flight Nurse



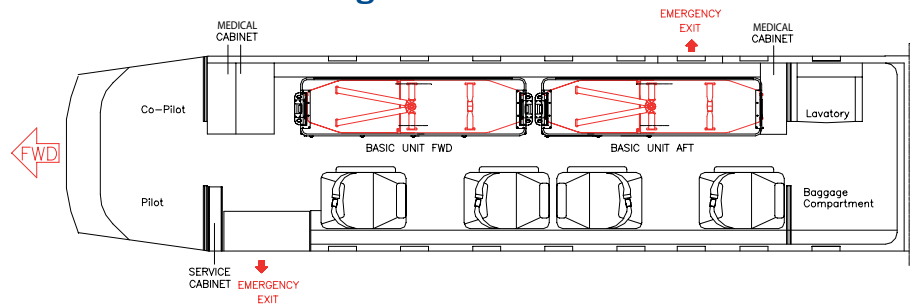


Air Ambulance Configurations

LearJet 45XR



Double Stretcher Configuration



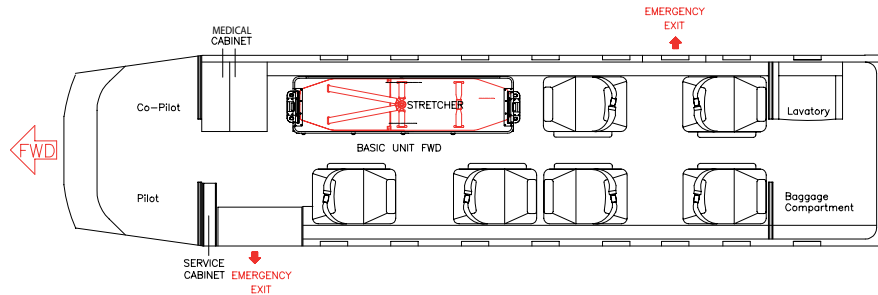
- 2 stable intensive care patients with extended medical team
- 1 stable intensive care patient and 1 stretcher patient
- 2 stretcher patients with 2 relatives or sitting patients
- 2 stretcher patients and 1 sitting patient with leg rest
- 1 incubator and 1 stretcher for the mother/mother-to-be

Air Ambulance Configurations

LearJet 45XR

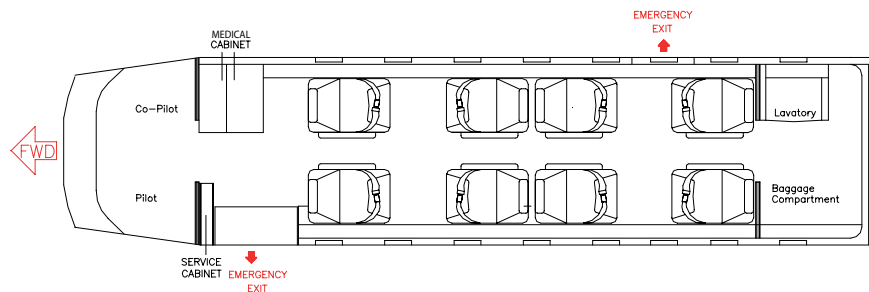
Single Stretcher Configuration

- 1 critical intensive care patient
- 1 stable intensive care patient with up to 3 relatives or sitting patients



Passenger Configuration

- From 3 sitting patients with leg rest possibilities up to 6 sitting patients or relatives with regular medical team



Medical Team

All EAA missions are staffed with a medical team composed of 1 physician and 1 flight nurse

An extended medical team will be assigned for

- 2 intensive care patients and/or
- 2 bed-to-bed transfers or
- to extend the medical competencies, taking for example one neonatologist and one obstetrician / gynaecologist

Luggage

Possibility to take extra luggage depending on the number of patients and relatives

Lavatory

Separate lavatory in aft of the aircraft

Certifications



AAMS
Association of Air Medical
Services



JAA
Joint Aviation Authorities



FSF
Flight Safety Foundation



ISO
International Organization
for Standardization

Technical and Safety

The aircraft are maintained to the latest standards and requirements by implementing authorities' and manufacturer's recommendations, bulletins and regulatory requirements. Line maintenance is performed by our own Luxembourg Air Ambulance technical department. Base maintenance activities have been sub-contracted to EASA Part-145 organisations which are approved Bombardier-Learjet (Airframe) and Honeywell (Engines) service centres. Our main sub-contractor engaged to support the current fleet of aircraft is Aero-Dienst (Flughafenstrasse 100, D-90411, Nuremberg, Germany DE.145.0011)

Regular maintenance inspections are carried out in compliance with aviation authority regulations and the manufacturer's

guidelines. For the Learjet fleet, these include:

Line checks at every arrival in Luxembourg;

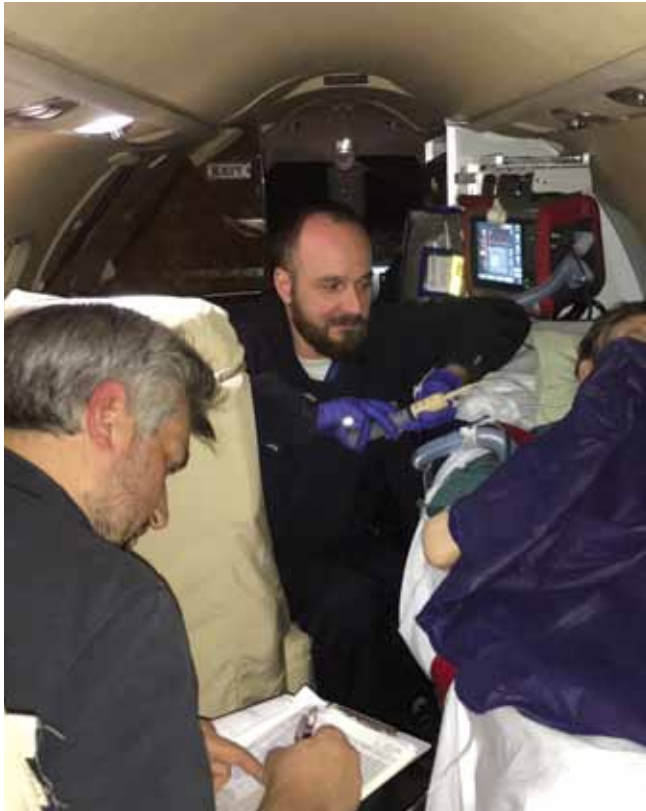
- Line checks every 50 and 150 flight hours;
- Base checks every 300, 600, 1.200 and 2.400 flight hours;
- Base checks at other intervals as described in the approved maintenance programme;
- Reliability monitoring for airframes and engines.

In addition, compliance with regulations and safety standards is supervised by Internal Safety And Compliance Monitoring audits and the Civil Aviation Authority (DACL - Direction de l'Aviation Civile Luxembourg).









EAA missions are always crewed with a specialised medical team of at least 1 physician and 1 flight nurse.

Other specialised medical crew can be called upon, depending on the patient's medical requirements.

Medical staff on EAA missions must fulfil the following requirements:

Physician:

Specialist status in anaesthesiology, internal medicine with intensive care experience or general/trauma surgery. All of them being specialized in emergency medicine.

Continuous medical education.

Multilingual skills, English and French or German are mandatory.

Flight Nurse:

Minimum 4 years experience as a registered nurse working in intensive care and/or anaesthesia and/or emergency room.

Continuous medical education.

Multilingual skills, English and German or French are mandatory.

Continuous medical education:

All staff are continuously trained for the special medical requirements of air ambulance transports. This means post-graduate professional education in:

- Flight Physiology
- Advanced Cardiac Life Support
- Advanced Paediatric Life Support
- Trauma Life Support
- Critical Care Medicine
- Critical Care Transport Medicine
- Crew Member Training
- Infectious diseases and hygiene
- Travel medicine

In-house Medical simulator:

We organise regular, full-scale-simulator-based CRM-training (Crew Resource Management) for all medical crew members.

EAA has close co-operations with well-known hospitals and institutions specialised in cases of infectious/tropical diseases, paediatrics and organ assist system transports.

Multilingual skills:

Many crew members speak several languages, including English, French, German, Spanish, Italian, Portuguese, Greek, Dutch or Luxembourgish. English and German or French are mandatory.

Special cases:

Depending on the age or medical condition of the patient, other specialists such as paediatricians, neonatologists, gynaecologists, obstetricians, surgeons, are available if required.



Medical Equipment

Ventilator



**Intensive Care Ventilator BREAS
LTV 1200®
(Pulmonetic Systems)**

Volume and pressure controlled, Synchronized Intermittent Mandatory Ventilation, Continuous Positive Airway Pressure Ventilation, Apnoea-Ventilation as a safety feature, Non-Invasive Positive Pressure Ventilation, Variable Oxygen from 21% - 100%.



HAMILTON-T1® Transport Ventilator
Combines the functionality of a fully featured intensive care unit ventilator with the compactness and ruggedness required for transport. Enables provision of optimal ventilation therapy to adult, paediatric, and neonatal patients during transport. Completely independent from compressed air with the integrated high-performance turbine.



Spare Ventilator



Dräger Oxylog 2000®

Emergency and intensive transport ventilator. Ventilation modes CMV, CMVassist, SIMV, CPAP, CPR-mode.

Spare Defibrillator



PHILLIPS Heartstart FR2®

Automated external defibrillator. SMART® Biphasic waveform.

Monitor/Defibrillator



Corpuls3®

Modular, compact, defibrillator/monitoring devices with monitor, defibrillator/pacer and patient box (including all measuring modules (ECG, SpO2, CO2, NIBP, IBP and Temperature), data exchange by Fast-IrDa or by a unique, wireless,

network-technology with module disconnection operating without any data or quality loss.

Spare Monitoring



Transport Monitor PROPAQ CS 246®

ECG Monitoring (4-Lead); Non Invasive Blood Pressure, Invasive Pressure Monitoring, Saturation Capnometry/-graphy, Temperature (2 Plugs)

Medical Equipment

Blood Gas Analyser



Abbott i-STAT®

Hand-held blood gas analyzer for rapid inflight triage and treatment decisions or monitoring a patient's treatment response (Sodium (Na), Potassium (K), Hematocrit (Hct), Hemoglobin (Hgb), pH, PCO₂, PO₂, TCO₂, HCO₃, BE_{ecf}, sO₂).



Masimo® Prick-Free Pronto-7

Allows for quick and noninvasive bedside checking of total hemoglobin (SpHb), SpO₂, pulse rate, and perfusion index.

Infusion System



BBraun® Perfusor Compact

Modular infusion system with Automatic rate calculation, Dose rate mode with the desired dose rate, integrated piston brake and automatic drive technology.

Suction Unit



Weinmann ACCUVAC Rescue®

Offers pre-selected suction levels that can be set with the push of a button.

Transport Incubator



Incubator MediPrema N.I.T.E.® “Neonatal Interna- tional Transport Equipment”

Mainly designed for neonatal reanimation units, for use in all forms of transport (short and long distance) of new-

born infants. Equipped with the ISIS system “Intelligence System for Incubator Surveillance”, it allows the medical team to treat newborn infants in ideal conditions of safety and comfort. The N.I.T.E.® adapts to all electrical power supplies throughout the world (110 to 240V AC and 12 to 36V DC).

Ultrasound Scanner



Primedic® Handyscan

Ultrasound scanner for mobile use in and outside the aircraft with 5-inch TFT LCD, 256 grey shades, Memory up to 160 images, 2-kg weight.

BabyPod II



BabyPod II

Consists of a lightweight carbon fiber outer shell, which is lined with a shock absorbent foam inner layer, and has a transparent lid for viewing the baby. Baby Pod II contains a patient

-positioning vacuum mattress, stretcher fixing straps to secure the device for transport and safety straps to secure the infant inside the device during transport.

Video Laryngoscope



Video Laryngoscope

The video laryngoscope in the C-MAC range of intubation sets from Karl Storz allows a direct view of the glottis and enables visual monitoring of the trachea while the tube is positioned.



For several years, neonatology transport has been one of European Air Ambulance's specialities. With state-of-the-art equipment (incubator and intensive care ventilator) at their disposal, EAA's neonatal missions always include a neonatologist as well as a specialised intensive care flight nurse who has been trained in Advanced Paediatric Life Support and New Born Life Support.

Two incubators and one BabyPod, permanent equipment at EAA, are used on the EAA missions:

- 2 MediPrema N.I.T.E.® equipped with a Mobile Stephan R120® ventilator and a Hamilton T1 ® neonate ventilator.
- 1 BabyPod II containing a patient-positioning vacuum mattress, stretcher fixing straps to secure the device for transport and safety straps to secure the infant inside the device during transport.

These units complement other monitoring equipment and accessories specially adapted for young patients.

Neonatal



Neonatal

The latest neonatal innovation from EAA - the BLUEBOX - is an intelligent interface that controls the input into the transport incubator and all connected appliances, whatever their individual specifications, and ensures they run continuously in any vehicle on land or in the air. Combined with EAA's other state-of-the-art equipment, it provides the very best conditions for emergency neonatal transport.



European Air Ambulance (EAA) has a dedicated Infectious Diseases Unit, which provides high levels of protection to both patient and crew. This enables EAA to safely transport highly infectious patients utilising our specialised equipment and training.

EAA works with both public and private institutions, providing governments, NGO's and medical assistance companies with the ability to safely transport patients with conditions that might otherwise endanger the lives of crew and medical staff alike. Our EASA approved IsoPod allows the patient to be kept safe and comfortable for long-range transport, without any risk of contact with the accompanying medical team. This means EAA can provide a standard of MEDEVAC capability more commonly seen in military forces.

Providing this level of MEDEVAC within a civilian sphere follows EAA's commitment to continue to improve and increase our range of services for clients and partners worldwide. The infectious diseases unit is another illustration of our ability to provide cutting edge aeromedical solutions, 24/7 and across the globe.









EUROPEAN AIR AMBULANCE

Branch of Luxembourg Air Ambulance S.A.

www.air-ambulance.com

Mail & Legal Address:
Luxembourg Airport - Gate E13
Postal Address:
B.P. 24 • L-5201 Sandweiler

Sales & Mission Control Centre:
alert@air-ambulance.com
Tel: +352 26 26 00
Fax: +352 26 26 01